

NEW!

Trolleys

Man Rider™, Plain and Brake



These 3 and 6 metric ton trolleys are designed specifically for the bridge retrofit and new construction market. These rugged and durable manual trolleys are offered with both utility and Man Rider ratings to fit a variety of bridge and scaffolding applications.

Standard features

- Incredibly tough, long-lasting cast iron wheels are through hardened for wear resistance. Tapered tread wheels are standard.
- Rail sweeps (safety lugs) standard.
- Axles and bearings have grease fittings for maximum life and corrosion resistance.
- Air activated “parking brake” on BT/M2-3 and 6 models.



BTP Trolley



BTM Trolley

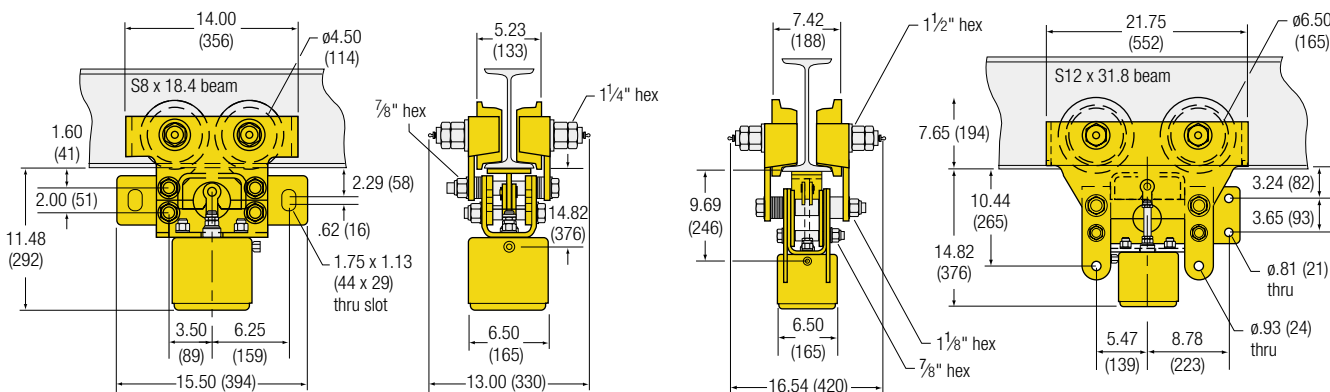
Options

- Flat tread wheels
- Special paint coatings
- Suspension shafts to fit a variety of beam types and widths

Specifications: BT/M2-3, BT/M2-6 and BTP-MR3/6 series

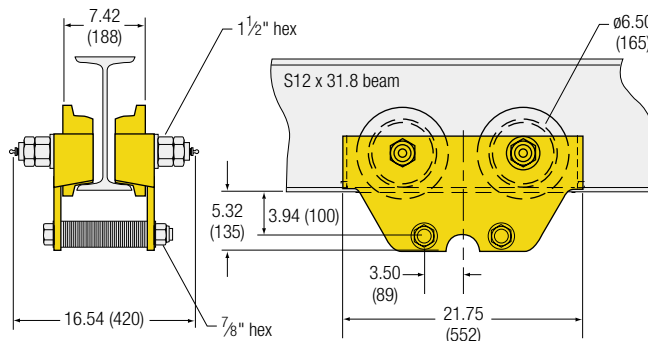
Base model	Utility load lbs (kg)	Design factor at utility load	Man-Rider load lbs (kg)	Design factor at M-R load	Flange adjustment in. (mm)	Inlet hose in.	Operating pressure psig (bar)	Parking brake (PB)		Min. beam curve radius in. (mm)		
								Type	Material		Horiz. hold cap.	min. hold-off pressure
BT/M2-3	6600 (3000)	5:1	3300 (1500)	10:1	3.80 – 4.20 (97–107)	1/4	85–125 (6–8.75)	Air release/spring set	non-asbestos	600 lbs (273 kg)	70 psig (4.9 bar)	48 (1219)
BT/M2-6	13200 (6000)	5:1	6600 (3000)	10:1	4.00–5.00 (102–127)	1/4	85–125 (6–8.75)	Air release/spring set	non-asbestos	600 lbs (273 kg)	70 psig (4.9 bar)	60 (1524)
BTP-MR3/6	13200 (6000)	5:1	6600 (3000)	10:1	4.00–5.00 (102–127)	na	na	na	na	na	na	60 (1524)

Dimensions



BT/M2-3

BT/M2-6



BTP/M3-6

Dimensions are subject to change. Contact factory for certified prints